

# SKX SW

IP 66



IK08



- Enclosure made of glass-fibre reinforced polyester resin
- 2 pole OFF switch or changeover switch

## CONSTRUCTION

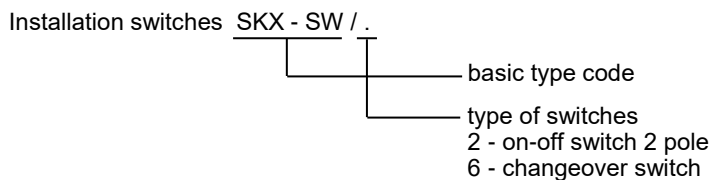
Enclosure: polyester plastic reinforced with glass fiber, color - black  
Cover: with integrated thermoplastic elastomer gasket, closes with four M5 stainless steel screws.

## TECHNICAL DATA

<b>Certificate:</b>	FIDI 19 ATEX 0022X
<b>Marking:</b>	0722
<b>Apparatus category:</b>	II 2GD
<b>Marking of explosion protection:</b>	Ex db eb IIC T6 Gb Ex tb IIIC T80°C
<b>Ambient temperature ATEX:</b>	$-20^{\circ}\text{C} \leq T_a \leq +40/+50^{\circ}\text{C}$
<b>Degree of protection:</b>	IP 66
<b>Resistance to shock:</b>	IK 08
<b>Protection class :</b>	I (protective earthing)
<b>Rated isolating voltage:</b>	690 V
<b>Thermal current <math>I_{the}</math> :</b>	16 A for $-20^{\circ}\text{C} \leq T_a \leq +40^{\circ}\text{C}$ 15 A for $-20^{\circ}\text{C} \leq T_a \leq +50^{\circ}\text{C}$
<b>PE terminals (inside of the enclosure):</b>	max. $2 \times 4 \text{ mm}^2 + 2 \times 2,5 \text{ mm}^2$ , $3 \times 4 \text{ mm}^2$ , $2 \times 6 \text{ mm}^2$
<b>Weight:</b>	App. 0,6kg

# Installation switch

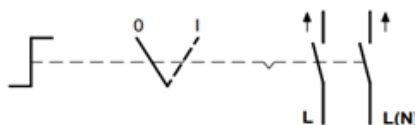
## MODEL CODE



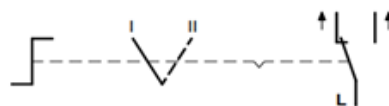
Switching capacity	Rated operating voltage Ue	Rated operating current Ie
AC 5a	230 V	16 A for $-20^{\circ}\text{C} \leq T_a \leq +40^{\circ}\text{C}$ 15 A for $-20^{\circ}\text{C} \leq T_a \leq +50^{\circ}\text{C}$
AC 5b	230 V	16 A for $-20^{\circ}\text{C} \leq T_a \leq +40^{\circ}\text{C}$ 15 A for $-20^{\circ}\text{C} \leq T_a \leq +50^{\circ}\text{C}$
AC 1	500 V	16 A for $-20^{\circ}\text{C} \leq T_a \leq +40^{\circ}\text{C}$ 15 A for $-20^{\circ}\text{C} \leq T_a \leq +50^{\circ}\text{C}$
AC 15	250 V 500 V	6 A for $-20^{\circ}\text{C} \leq T_a \leq +50^{\circ}\text{C}$ 4 A for $-20^{\circ}\text{C} \leq T_a \leq +50^{\circ}\text{C}$
DC 13	24 V 60 V 110 V	6 A for $-20^{\circ}\text{C} \leq T_a \leq +50^{\circ}\text{C}$ 0,8 A for $-20^{\circ}\text{C} \leq T_a \leq +50^{\circ}\text{C}$ 0,5 A for $-20^{\circ}\text{C} \leq T_a \leq +50^{\circ}\text{C}$

## WIRING DIAGRAM

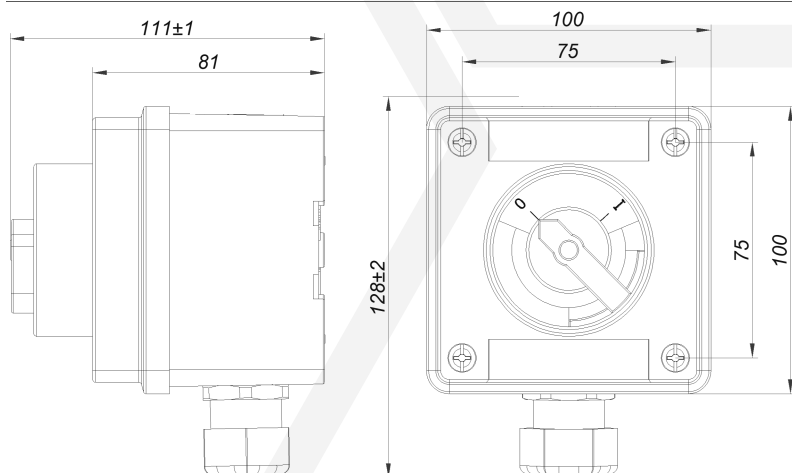
ON-OFF switch 2 pole



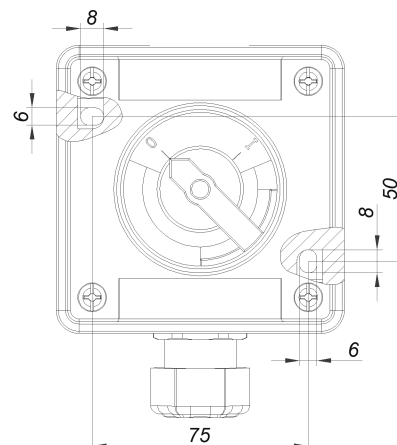
Changeover switch



## DIMENSION



## MOUNTING



All technical data is relevant at the time of print.